

# LE2100

Three-way bi-amp, very high power, differential dispersion stage monitor

## features

- Two 12" (300mm) ultra-long excursion high power, neodymium motor bass drivers
- 6.5" (165mm) high power, phase plug loaded neodymium motor midrange driver
- 1" (25mm) exit titanium dome, neodymium motor compression driver
- Optimised constant directivity differential dispersion HF horn
- Symmetrical array, 3-way, bi-amp design
- Contemporary, multi-laminate ply and hardwood cabinet
- Frequency response 56Hz-18kHz  $\pm$  3dB, -10dB @ 48Hz
- Discreet connectors
- Fitted with 4 x M8 rigging inserts

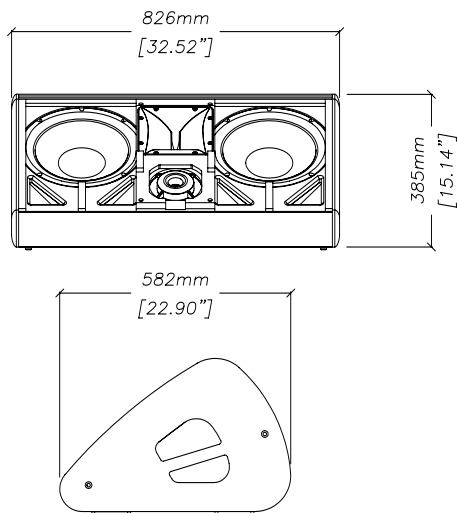
## applications

- Very high power stage monitor
- Flown infill via optional yoke

The Martin Audio LE2100 is a very high performance monitor designed for large-stage applications where maximum SPLs are required. It features twin, high-specification 12" (300mm) low frequency drivers, a unique 6.5" (165mm) midrange device and a 1" (25mm) exit compression driver mounted on a differential dispersion horn. Differential dispersion technology increases the area over which a constant SPL and consistent frequency response is maintained at ear height, enabling the artist to move around more freely.

The LE2100 is best used with the DX1 controller to provide crossover, limiting and EQ functions.

## overall dimensions



## technical specifications

TYPE	Three-way reflex stage monitor with symmetrically arrayed 2 x 12" LF; phase plug loaded MF and differential dispersion HF horn
FREQUENCY RESPONSE (1)	56Hz-18kHz $\pm$ 3dB -10dB @ 48Hz
DRIVERS	2 x 12" (300mm)/3" (75mm) voice coil, ultra-long excursion, water resistant cone 6.5" (165mm)/2" (50mm) ccaw ribbon voice coil, water resistant cone 1" (25mm) exit, 1.7" (44mm) voice coil titanium dome HF compression driver
RATED POWER (2)	LF: 800W AES, 3200W peak MF + HF: 250W AES, 1000W peak
RECOMMENDED AMPLIFIER	800-2000W into 4 ohms
SENSITIVITY (3)	LF: 101dB MF + HF: 102dB
MAXIMUM SPL (calculated @ 1m)	LF: 130dB continuous, 136dB peak MF + HF: 126dB continuous, 132dB peak
NOMINAL IMPEDANCE	LF: 4 ohms MF + HF: 8 ohms
DISPERSION (-6dB)	60° - 100° horizontal (differential dispersion) 60° vertical
CROSSOVER	606Hz active 3kHz passive
ENCLOSURE	89 litres
FINISH	Textured black paint
PROTECTIVE GRILLE	Black perforated steel
CONNECTORS	2 x Neutrik NL4
FITTINGS	4 x skids 4 x M8 inserts
DIMENSIONS	(W) 826mm x (H) 385mm x (D) 582mm (W) 32.5ins x (H) 15.2ins x (D) 22.9ins
WEIGHT	39.5kg (87lbs)

Century Point, Halifax Road, Cressex Business Park,  
High Wycombe, Buckinghamshire HP12 3SL, England.  
Telephone: +44 (0)1494 535312 Facsimile: +44 (0)1494 438669  
E-mail: info@martin-audio.com  
All information is Copyright © 2006 Martin Audio Ltd.



[www.martin-audio.com](http://www.martin-audio.com)