

WT15

Ultra-compact theatre enclosure

features

- ▶ Ultra-compact trapezoid enclosure
- ▶ ICT™ technology
- ▶ Vertical or horizontal orientation
- ▶ High SPL capability

applications

- ▶ Background music for clubs and bars
- ▶ Theatre delay/in-fill
- ▶ AV presentations



touring and theatre

The ultra-compact WT15 is a trapezoid full-range speaker capable of producing SPL's associated with much larger enclosures. It is designed specifically for theatre applications where minimum size is a priority.

Only 11" high, it produces extended bandwidth and has high output capability from twin 5" (125mm) drivers assembled in an innovative two-way configuration utilising ICT™ technology. To maximise output, the 5" (125mm) loudspeaker is augmented by a second 5" (125mm) driver operating in tandem over the bass and mid-range region. HF dispersion is identical in both horizontal and vertical planes.

The system also features externally switchable 4 or 16 ohm operation. Input configuration is also externally switchable, allowing daisy chaining of cabinets even when fed with different input signals.

Special fittings allow installation under-balcony, for stage or front-fill siting, or it can be mounted on standard microphone stands.

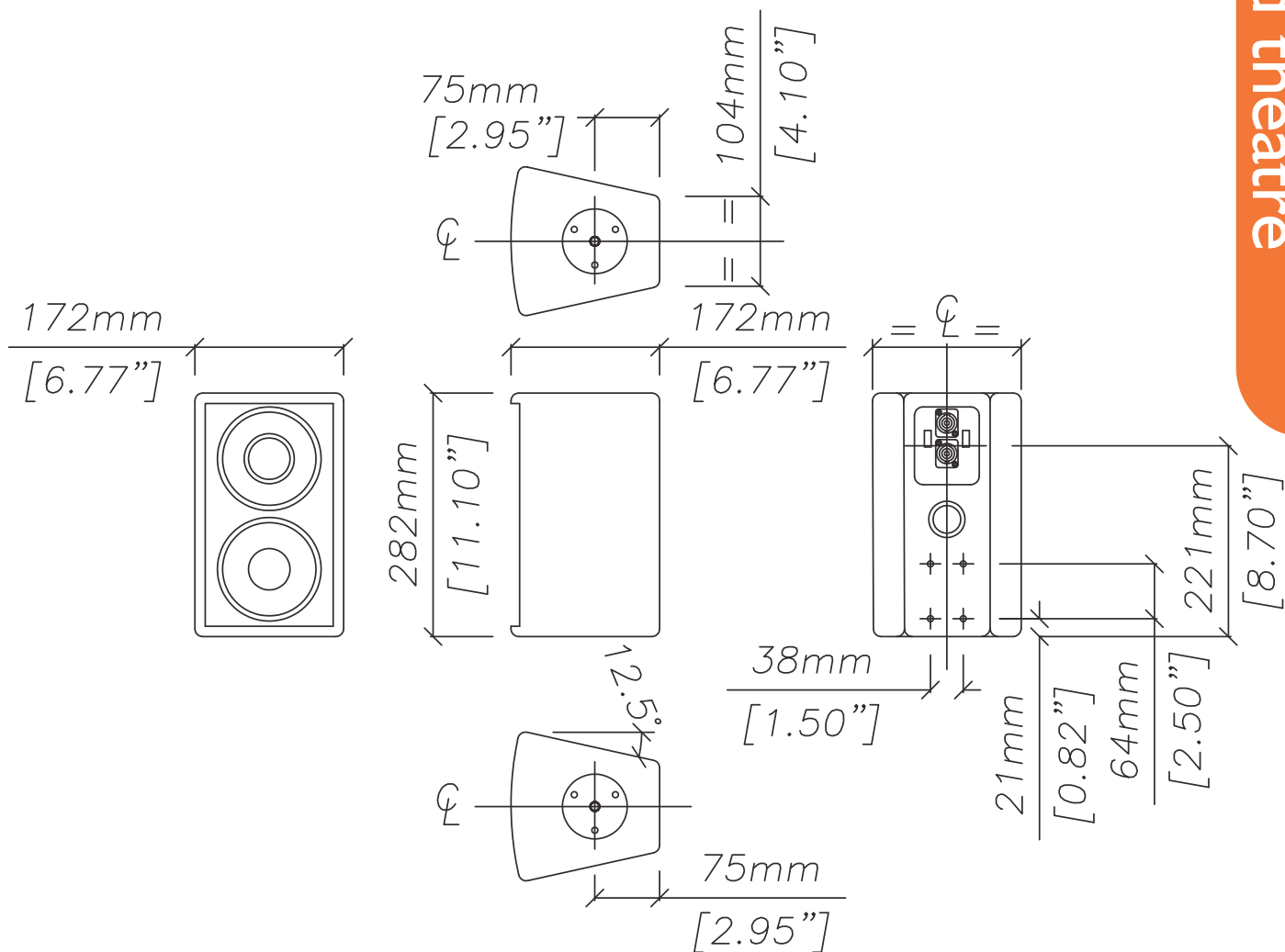
Century Point, Halifax Road, Cressex Business Park,
High Wycombe, Buckinghamshire HP12 3SL, England.
Telephone: +44 (0)1494 535312 Facsimile: +44 (0)1494 438669
E-mail: info@martin-audio.com
All information is Copyright © 2011 Martin Audio Ltd.



WT15

Ultra-compact theatre enclosure

overall dimensions



WT15

Century Point, Halifax Road, Cressex Business Park,
High Wycombe, Buckinghamshire HP12 3SL, England.
Telephone: +44 (0)1494 535312 Facsimile: +44 (0)1494 438669
E-mail: info@martin-audio.com
All information is Copyright © 2011 Martin Audio Ltd.



WT15

Ultra-compact theatre enclosure

technical specifications

TYPE	Ultra-compact, two-way ICT™ trapezoid
FREQUENCY RESPONSE (5)	120Hz-20kHz ± 3dB
DRIVERS	5" (125mm) bass driver 5" (125mm) ICT™ driver
RATED POWER (2)	75W AES, 300W peak
RECOMMENDED AMPLIFIER	MA1.4
SENSITIVITY (6)	91dB
MAXIMUM SPL (calculated @ 1m)	110dB continuous, 116dB peak
NOMINAL IMPEDANCE	Externally switchable 4 or 16 ohms
DISPERSION (-6dB)	80° horizontal, 80° vertical
ENCLOSURE	5 litre, rear vented
FINISH	Textured black paint
PROTECTIVE GRILLE	Black perforated steel
CONNECTORS	2 x Neutrik NL4 switchable for input +1, -1 or +2, -2
FITTINGS	2 x 3/8" flush mounted nut plates on base and top 4 x M4 inserts for Omnimount 50
DIMENSIONS	(W) 172mm x (H) 282mm x (D) 172mm (W) 6.8ins x (H) 11ins x (D) 6.8ins
WEIGHT	5kg (11lbs)

accessories

HTKWT15	Flying yoke
---------	-------------

Notes

- (1) Measured on-axis in half space at 2 metres, then referred to 1 metre.
- (2) AES Standard ANSI S4.26-1984.
- (3) Measured in half space at 2 metres with 1 watt input, using band limited pink noise, then referred to 1 metre.
- (4) Measured in half space at 2 metres using band limited pink noise, then referred to 1 metre.
- (5) Measured on-axis in open (4π) space at 2 metres, then referred to 1 metre.
- (6) Measured in open (4π) space at 2 metres with 1 watt input, using band limited pink noise, then referred to 1 metre.
- (7) Measured in open (4π) space at 2 metres using band limited pink noise, then referred to 1 metre.
- (8) Measured in open (4π) space at 2 metres with 2.83V input, using band limited pink noise, then referred to 1 metre.
- (9) Calculated at 1 metre.

Trade Descriptions Act

Due to Martin Audio's policy of continuing improvement, we reserve the right to alter these specifications without prior notice. Martin Audio is committed to refining state of the art sound reinforcement, combining in-depth product and field applications research with advanced manufacturing techniques. Every Martin Audio product is built to the highest manufacturing standards and rigorously tested to ensure that it meets the performance criteria specified in the design.

architectural and engineering specifications

The loudspeaker system shall be of the two-way passive type consisting of one 5" (125mm) direct radiating bass/mid frequency driver and one 5" (125mm) full-range ICT driver with a concentric high frequency diaphragm loaded by a phase plug and waveguide. The transducers shall be mounted in a reflex loaded trapezoidal enclosure fitted with threaded inserts for wall and ceiling mounting. 4 or 16 ohm operation shall be selected by a switch at the rear of the enclosure. Input between pins 1 and 2 shall be selected by a switch at the rear of the enclosure.

Performance of the loudspeaker system with its electronic controller shall meet or exceed the following criteria:

Frequency response measured 1 metre on axis shall be 120Hz-20kHz ± 3dB.

High frequency dispersion at -6dB points shall be 80° H x 80° V.

Power handling shall be 75W AES, 300W peak.

Rated impedance shall be 4 ohms (16 ohms optional/user configurable).

Maximum SPL measured at 1 metre on axis shall be 110dB continuous, 116dB peak.

Dimensions (W) 172mm x (H) 282mm x (D) 172mm (6.8ins x 11ins x 6.8ins).

Weight 5kg (11lbs).

The loudspeaker system shall be the Martin Audio WT15.

Century Point, Halifax Road, Cressex Business Park,
High Wycombe, Buckinghamshire HP12 3SL, England.
Telephone: +44 (0)1494 535312 Facsimile: +44 (0)1494 438669
E-mail: info@martin-audio.com
All information is Copyright © 2011 Martin Audio Ltd.

