

WI

Ultra-compact two-way trapezoid system

features

- ▶ Ultra-compact trapezoid enclosure
- ▶ High SPL output capability
- ▶ 70° coverage angle
- ▶ Multi-laminate birch plywood construction
- ▶ 10" (250mm) LF/1" (25mm) HF driver combination

applications

- ▶ Audio-visual presentations
- ▶ Theatre sound systems
- ▶ Club sound reinforcement
- ▶ Distributed sound systems
- ▶ Live sound infill system



The Martin WI Wavefront system is a high performance, ultra-compact loudspeaker designed for specific applications where both high output capability and small size are required. Typical uses include audio-visual presentations and theatre sound. The WI features a 10" (250mm) bass driver and 1" (25mm) exit compression driver housed in a rugged plywood enclosure built using the same construction techniques as larger Martin touring systems. Its 2-way passive configuration simplifies operation, ensures predictable system performance and reduces amplifier count.

The 70°, medium Q horizontal coverage angle of the WI allows it to be used either as a portable stand alone system, or as a component in distributed systems or multiple arrays. The WI has been engineered to combine dynamic high level reproduction with a wide bandwidth, accuracy and maximum intelligibility.

Optimum performance of the WI is achieved when used with a system controller configured for the WI to perform system specific equalisation and limiter functions.

Because the WI is a passive full-range system embodying correct acoustic design principles, it may be used without a controller in certain instances - provided recommended amplifier power is not exceeded and care is taken to avoid amplifier clipping and excessive low frequencies below 75Hz.

For applications where ultra-low frequency enhancement is required, a Wavefront Series sub-bass system can be used in conjunction with the WI and a system controller to extend the power bandwidth of the system to below 35Hz.

To simplify installation, threaded steel inserts are fitted into the enclosure for the fixing of rigging hardware. A perforated steel grille protects the drive units in transit and a single rear handle allows the WI to be carried with one hand.

Century Point, Halifax Road, Cressex Business Park,
High Wycombe, Buckinghamshire HP12 3SL, England.
Telephone: +44 (0)1494 535312 Facsimile: +44 (0)1494 438669
E-mail: info@martin-audio.com
All information is Copyright © 2006 Martin Audio Ltd.

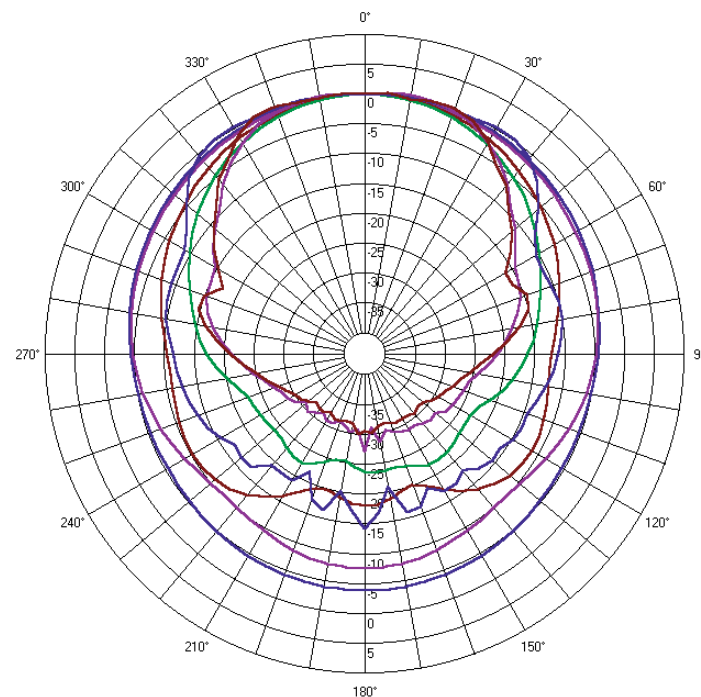
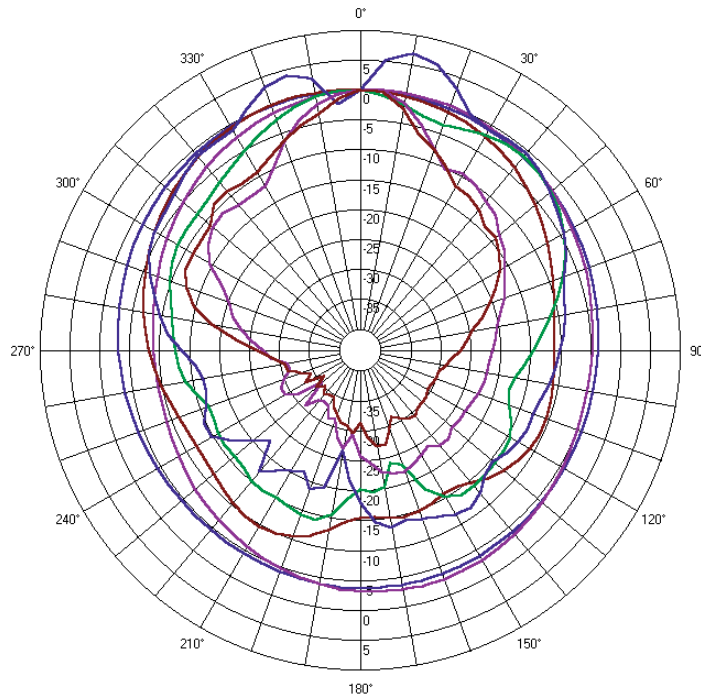


WI

Ultra-compact two-way trapezoid system

polar plots

touring and theatre



Century Point, Halifax Road, Cressex Business Park,
High Wycombe, Buckinghamshire HP12 3SL, England.
Telephone: +44 (0)1494 535312 Facsimile: +44 (0)1494 438669
E-mail: info@martin-audio.com
All information is Copyright © 2006 Martin Audio Ltd.



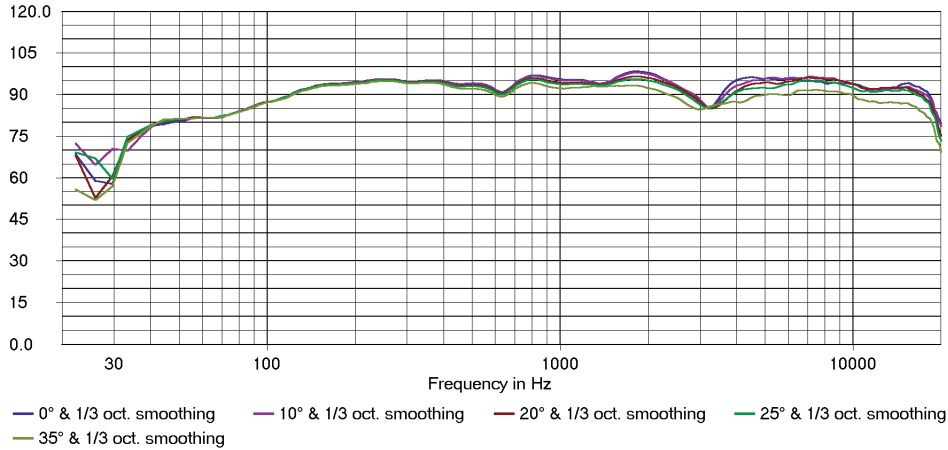
WI

Ultra-compact two-way trapezoid system

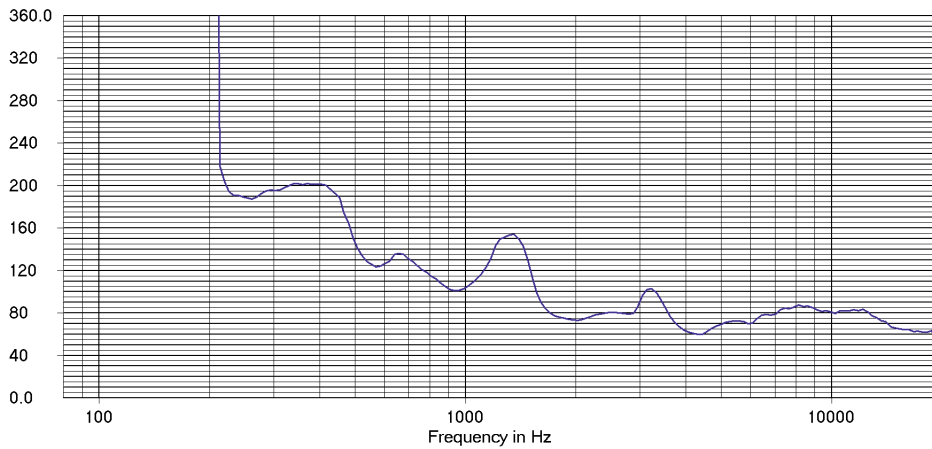
frequency responses

touring and theatre

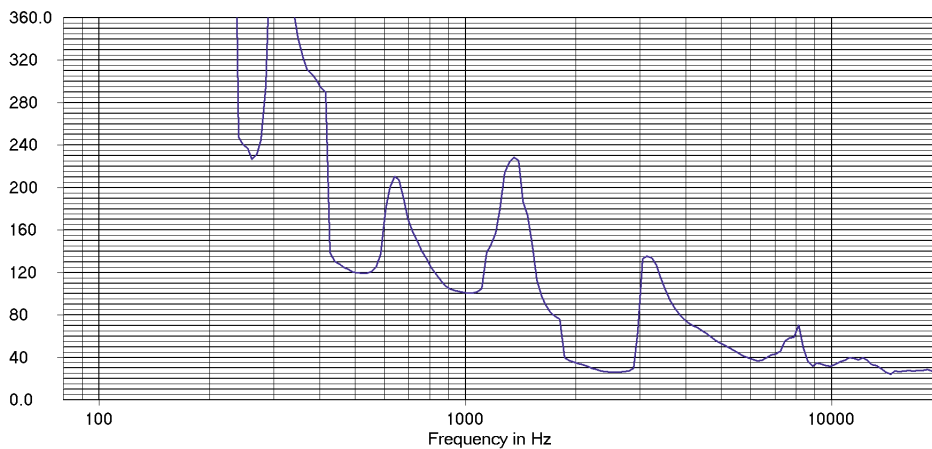
W1 Horizontal Magnitude in dB SPL/2.83V at 1 meter



W1 Horizontal Beamwidth



W1 Vertical Beamwidth



Century Point, Halifax Road, Cressex Business Park,
High Wycombe, Buckinghamshire HP12 3SL, England.
Telephone: +44 (0)1494 535312 Facsimile: +44 (0)1494 438669
E-mail: info@martin-audio.com
All information is Copyright © 2006 Martin Audio Ltd.

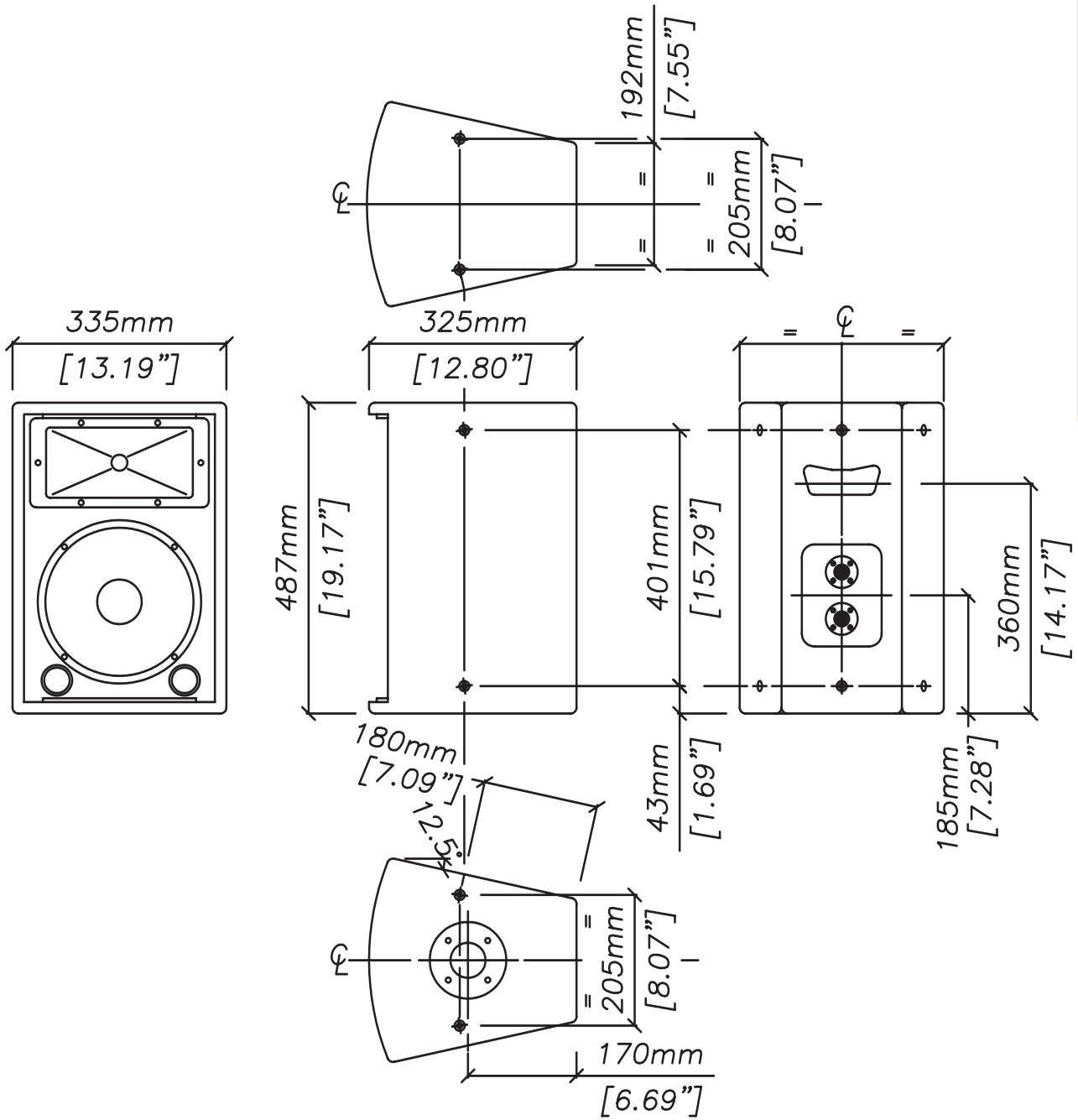


WI

Ultra-compact two-way trapezoid system

overall dimensions

touring and theatre



W1

Century Point, Halifax Road, Cressex Business Park,
High Wycombe, Buckinghamshire HP12 3SL, England.
Telephone: +44 (0)1494 535312 Facsimile: +44 (0)1494 438669
E-mail: info@martin-audio.com
All information is Copyright © 2006 Martin Audio Ltd.



WI

Ultra-compact two-way trapezoid system

technical specifications

TYPE	Ultra-compact two-way passive trapezoid
FREQUENCY RESPONSE (5)	75Hz-18kHz \pm 3dB -10dB @ 55Hz
DRIVERS	10" (250mm) bass driver 1" (25mm) exit HF compression driver
RATED POWER (2)	150W AES, 600W peak
RECOMMENDED AMPLIFIER	300-400W into 4 ohms
SENSITIVITY (6)	97dB
MAXIMUM SPL (7)	118dB continuous, 124dB peak
NOMINAL IMPEDANCE	8 ohms
DISPERSION (-6dB)	70° horizontal, 40° vertical
CROSSOVER	2.2kHz passive
FINISH	Textured grey paint
PROTECTIVE GRILLE	Grey perforated steel
CONNECTORS	2 x Neutrik NL4
FITTINGS	12 x M8 threaded inserts 1 x mounting pole socket
DIMENSIONS	(W) 335mm x (H) 487mm x (D) 325mm (W) 13.2ins x (H) 19.2ins x (D) 12.8ins
WEIGHT	14.5kg (32lbs)

accessories

HTKW1	Flying yoke
HTKCT05	8mm Shouldered eye bolt

Notes

- (1) Measured on-axis in half space at 2 metres, then referred to 1 metre.
- (2) AES Standard ANSI S4.26-1984.
- (3) Measured in half space at 2 metres with 1 watt input, using band limited pink noise, then referred to 1 metre.
- (4) Measured in half space at 2 metres using band limited pink noise, then referred to 1 metre.
- (5) Measured on-axis in open (4π) space at 2 metres, then referred to 1 metre.
- (6) Measured in open (4π) space at 2 metres with 1 watt input, using band limited pink noise, then referred to 1 metre.
- (7) Measured in open (4π) space at 2 metres using band limited pink noise, then referred to 1 metre.

Trade Descriptions Act

Due to Martin Audio's policy of continuing improvement, we reserve the right to alter these specifications without prior notice. Martin Audio is committed to refining state of the art sound reinforcement, combining in-depth product and field applications research with advanced manufacturing techniques. Every Martin Audio product is built to the highest manufacturing standards and rigorously tested to ensure that it meets the performance criteria specified in the design.

architectural and engineering specifications

The loudspeaker system shall be of the two-way passive type consisting of one 10" (250mm) direct radiating reflex loaded low frequency transducer and one 1" (25mm) exit HF compression driver mounted in a trapezoidal plywood enclosure. The enclosure shall be fitted with an integral pole mounting socket and threaded inserts for wall and ceiling mounting. Low and high frequency sections shall be integrated by an internal 2.2kHz passive crossover network.

Performance of the loudspeaker system with its electronic controller shall meet or exceed the following criteria:

Frequency response measured 1 metre on axis shall be 75Hz-18kHz \pm 3dB.

High frequency dispersion at -6dB points shall be 70° H x 40° V.

Power handling shall be 150W AES, 600W peak
Rated impedance shall be 8 ohms

Maximum SPL measured at 1 metre on axis shall be 118dB continuous, 124dB peak.

Dimensions (W) 335mm x (H) 487mm x (D) 325mm
(13.2ins x 19.2ins x 12.8ins).

Weight 14.5kg (32lbs).

The loudspeaker system shall be the Martin Audio WI.

Century Point, Halifax Road, Cressex Business Park,
High Wycombe, Buckinghamshire HP12 3SL, England.
Telephone: +44 (0)1494 535312 Facsimile: +44 (0)1494 438669
E-mail: info@martin-audio.com
All information is Copyright © 2006 Martin Audio Ltd.

