

Blackline S15

Compact vented sub-bass

features

- ▶ Compact vented sub-bass
- ▶ Direct radiating 15" (380mm) driver
- ▶ High temperature 4" (100mm) voice coil
- ▶ Top hat fitting for pole mounting F12/F15
- ▶ Five year limited warranty

applications

- ▶ Club sound reinforcement
- ▶ Theatre sub-bass
- ▶ AV presentations



portable club

The compact Blackline S15 sub-bass system has been designed to be used with Blackline F12 or F15 full-range systems to extend and increase the total low frequency output power. The S15 provides good bass punch from a direct radiating 15" (380mm) driver with a 4" (100mm) high temperature voice coil.

The system features substantial birch ply construction and large area porting to reduce air noise. It can operate in passive add-on mode using its internal switchable passive network or may be used actively with an M3 or DX1 controller. The S15 has a top hat that can be used as a pole socket to mount an F12 or F15 above the sub-bass enclosure.

A Martin Audio M3 Electronic Controller is available to provide subwoofer crossover and limiter facilities. See the M3 Electronic Controller Technical Specifications for suitable M3 Controller Cards.

Century Point, Halifax Road, Cressex Business Park,
High Wycombe, Buckinghamshire HP12 3SL, England.
Telephone: +44 (0)1494 535312 Facsimile: +44 (0)1494 438669
E-mail: info@martin-audio.com
All information is Copyright © 2003 Martin Audio Ltd.

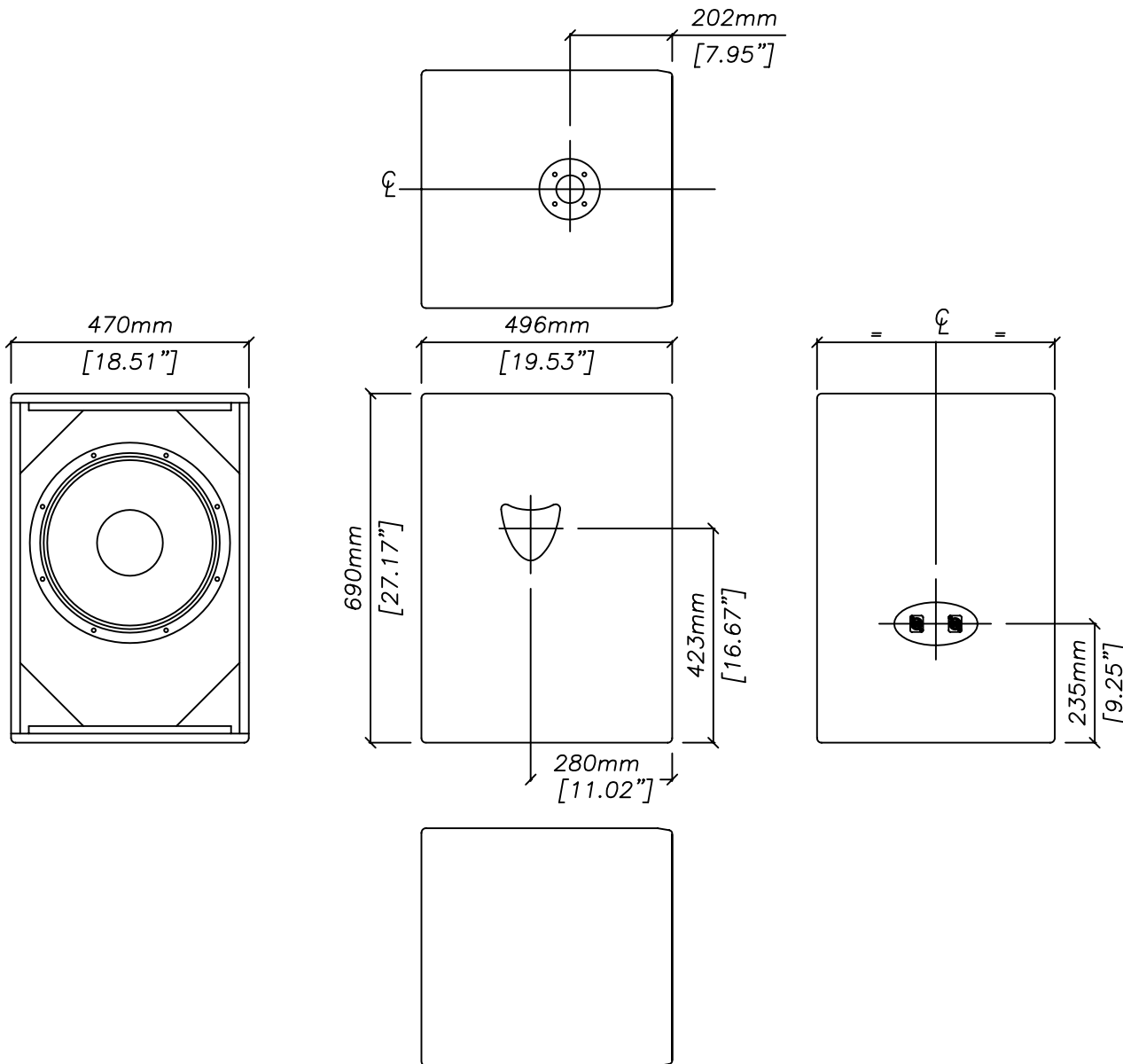


Blackline S15

Compact vented sub-bass

overall dimensions

portable club



S15

Century Point, Halifax Road, Cressex Business Park,
High Wycombe, Buckinghamshire HP12 3SL, England.
Telephone: +44 (0)1494 535312 Facsimile: +44 (0)1494 438669
E-mail: info@martin-audio.com
All information is Copyright © 2003 Martin Audio Ltd.



Blackline S15

Compact vented sub-bass

portable club

technical specifications

TYPE	Compact, vented sub-bass system
FREQUENCY RESPONSE (1)	45Hz-120Hz \pm 3dB
DRIVERS	15" (380mm) bass driver
RATED POWER (2)	500W AES, 2000W peak
RECOMMENDED AMPLIFIER	400-1000W into 4 ohms
SENSITIVITY (3)	98dB
MAXIMUM SPL (4)	123dB continuous, 129dB peak
IMPEDANCE	8 ohms nominal
DISPERSION (-6dB)	-
CROSSOVER	120Hz active/passive
ENCLOSURE	100 litre, multi-laminate birch ply
FINISH	Textured black paint
PROTECTIVE GRILLE	Black perforated steel
CONNECTORS	2 x Neutrik NL4
FITTINGS	Top hat fitting
DIMENSIONS	(W) 470mm x (H) 690mm x (D) 496mm (W) 18.5ins x (H) 27.2ins x (D) 19.5ins
WEIGHT	38.5kg (84.5lbs)

accessories

HTKCT04	Pole
COVS15	Black Padded Cover

Notes

- (1) Measured on-axis in half space at 2 metres, then referred to 1 metre.
- (2) AES Standard ANSI S4.26-1984.
- (3) Measured in half space conditions at 2 metres with 1 watt input, using band limited pink noise, then referred to 1 metre.
- (4) Measured in half space conditions at 2 metres using band limited pink noise, then referred to 1 metre.

Trade Descriptions Act

Due to Martin Audio's policy of continuing improvement, we reserve the right to alter these specifications without prior notice. Martin Audio is committed to refining state of the art sound reinforcement, combining in-depth product and field applications research with advanced manufacturing techniques. Every Martin Audio product is built to the highest manufacturing standards and rigorously tested to ensure that it meets the performance criteria specified in the design.

architectural and engineering specifications

The loudspeaker system shall be of the compact sub-bass type consisting of one 15" (380mm) direct radiating reflex loaded low frequency transducer in a multi-laminate birch ply enclosure. The enclosure shall be fitted with an integral pole mount and a switchable active/passive internal 120Hz crossover network.

Performance of the loudspeaker system with its electronic controller shall meet or exceed the following criteria:

Frequency response measured 1 metre on axis shall be 45Hz-120Hz \pm 3dB.

Power handling shall be 500W AES, 2000W peak.

Rated impedance shall be 8 ohms.

Maximum SPL measured at 1 metre on axis shall be 123dB continuous, 129dB peak.

Dimensions (W) 470mm x (H) 690mm x (D) 496mm (18.5ins x 27.2ins x 19.5ins).

Weight 38.5kg (84.5lbs).

The loudspeaker system shall be the Martin Audio S15.

Century Point, Halifax Road, Cressex Business Park,
High Wycombe, Buckinghamshire HP12 3SL, England.
Telephone: +44 (0)1494 535312 Facsimile: +44 (0)1494 438669
E-mail: info@martin-audio.com
All information is Copyright © 2003 Martin Audio Ltd.

